

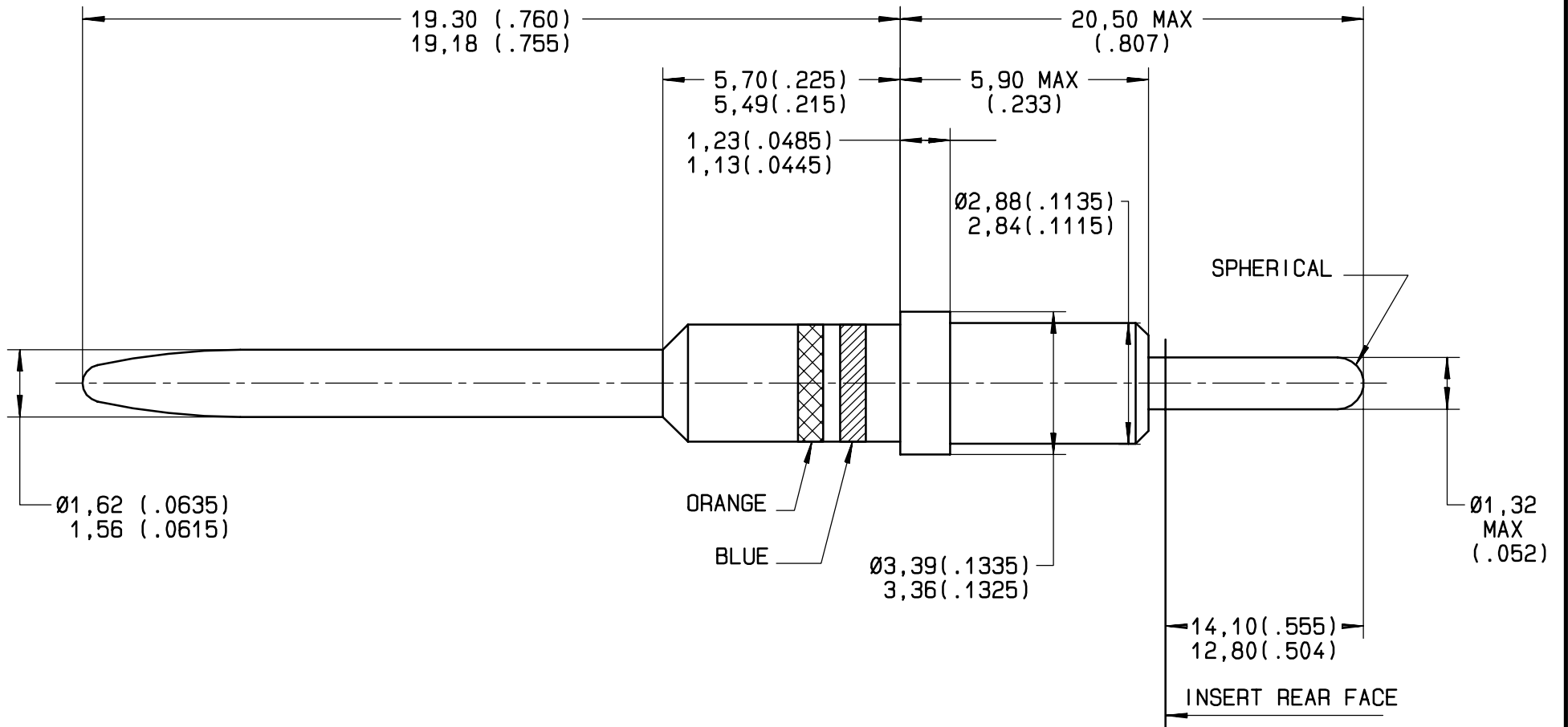


Series
NSX

SIZE 16 FRONT RELEASE, FRONT REMOVABLE
TIN LEAD DEPOSIT ON PC POST PIN CONTACT

Issue:
20 JULY 99

Page
1 / 1



***MATERIAL:**

- CONTACT: BRASS PER QQ-B-626

***FINISH:**

- CONTACT BODY: PLATING .00005 INCH OF GOLD PER MIL-G-45204 TYPE I OR II GRADE C OR D CLASS 1 OVER NICKEL PER QQ-N-290 - PWD SOLDER CONTACT AREA IS TIN LEADED PER QQ-S-571

***INSERTION/EXTRACTION TOOL: 282504**

This information is given as an indication. In the continual goal to improve our products, we reserve the right to make any modifications judged necessary.

4112-9610

CREATION				
PEN: M990104421A				
NOM: MACARI				
DATE: 20/07/99				
APPR.: .				
Issue	Revisions	Name	Approved	